

LIQUID RUBBER INDUSTRIES

ZAVLAR™ a safe long lasting sealant

WATERPROOFING AND SEALING ROOF VENTS

Zavlar™ is used to provide a waterproof seal for roof penetrations such as vents and skylights. In this example a contractor is repairing a leaky roof vent.

STEP 1



The vent and the area adjacent to it are first dried and cleaned of any dirt, algae or flaking coatings.

STEP 2



Using a brush, paint a coating of Zavlar™ over the vent pipe and where the pipe joins the roof deck.

STEP 3



While the Zavlar™ is still wet, wrap the pipe with a light-weight geotextile leaving a lap of 2-3" on the roof deck.

STEP 4



Coat the joint area between the vent pipe and the roof deck with Zavlar™, several thin coats will completely saturate the geotextile forming a strong membrane.

STEP 5



Work from the bottom to the top. Zavlar™ is easy to brush on because it has the same consistency as thick paint.

STEP 6



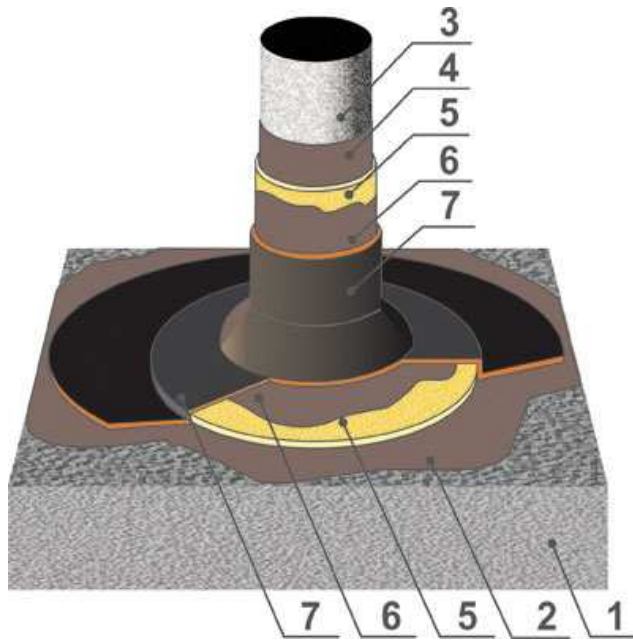
The finished seal when fully cured turns to a shiny black colour within 24 hrs. The joint is now fully sealed and waterproofed.

Liquid Rubber

LIQUID RUBBER INDUSTRIES

ZAVLAR™ a safe long lasting sealant

WATERPROOFING AND SEALING ROOF VENTS



DETAILS FOR TYPICAL ROOF PENETRATION

- 1 Base
- 2 Flood coat of Daclar™ part 'A'
- 3 Pipe or vent
- 4 Daclar™ / Zavlar™ (metal pipes)
- 5 Reinforcing of the joint by a strip of the Zavlar™ saturated geotextile
- 6 Flood coat of Daclar™ part 'A'
- 7 Instant setting membrane Daclar™

Zavlar™ may be applied using a brush, to a clean surface that should be free of dirt and other contaminants. Allow the Zavlar™ to dry for a minimum of **12 hours** prior to the application of Daclar™ membrane.

Spray Daclar™ parallel to the detail in an even thickness to a maximum of 3mm in one application. If a thicker system is required (4-6 mm/160-200 mils), a second application may be applied after **24 hours**.

- Surface must be dry and free of any dirt, debris and loose material.
- Surface must be free of voids and irregularities. Voids larger than 1/16th of an inch must be addressed with Zavlar™ (as specified) prior to spraying.
- All penetrations, right angles and corners should be prepared as needed, with Zavlar™ as specified.
- Substrate is to be examined for moisture content.
- If uncertain as to the suitability of Liquid Rubber to a substrate a trial area should be spray-tested and examined after curing.

Liquid Rubber Industries technical staff is available to assist you, please consult us if you have any questions or are uncertain as to application technique.

Liquid Rubber